

Versatile Barcode and Magnetic Stripe Reader

Magbar J

for reading
barcodes and
magnetic stripes
into virtually any
type of system


International Bar Code



The Magbar J is a versatile combination reader, capable of reading barcodes and magnetic stripes. It is available in many different interfaces for connecting to a variety of systems. Features and options include a good read beep, programmable LEDs, alphanumeric display, relay, sense inputs, programmable barcode and magnetic stripe masking, networking and weatherproofing for outdoor use. Available interfaces include PC Wedge (keyboard emulation), RS232, RS422, TCP/IP, DTMF, wiegand, ABA (magnetic stripe emulation) and USB. The Magbar J is a versatile solution for almost any system which requires barcode and magnetic stripe reading.

- Visible or infrared optics
- Programmable barcode and magnetic stripe masking
- Addressable (networked) using RS422 or TCP/IP
- Bidirectional reading
- 1 or 2 tracks
- Custom configurations available
- POE w/EZPower

160 Oak Street
Glastonbury, CT 06033 USA
Tel: (860) 659-9660
Fax: (860) 657-3860
email: info@interbar.com
<http://interbar.com>

Magbar J Specifications

Barcode Scanning Speed

3"-30" per second
(7.62 cm - 76.2 cm/sec)

Scanning Direction

Bi-directional

Symbologies

Code 39, 2 of 5, 1 2 of 5, Code 128, Codabar, EAN13, UPCA

Magnetic Stripe

Tracks 1, 2 or 3
(high or low density,
high or low coercivity)

Magnetic Stripe Direction

Bi-directional

Interfaces

See below

Light Source

630nm visible
940nm infrared

Slot Width

0.060" (1.52 mm)

Good Read Beep

Programmable

Resolution

5 mil (high)
10 mil (low)

Read Height

0.4" standard (1.02 cm)
0.465" optional (1.19 cm)

Indicators

2 programmable LEDs (opt.)

Sense Inputs

2 TTL sense inputs (optional)

Relay/Trigger Output

30VDC 500mA relay (opt.)
5V TTL trigger output (opt.)

Weight

7 ounces

Temperature

-40° to +85°C standard

Dimensions

4.6"L x 2.4"W x 1.4"H
(11.68 cm L x 6.10 cm W x
3.56 cm H)

Material

Black polycarbonate

Power*

5V 160mA typical 250 max
12V 100mA typical 140 max
24V 50mA typical 80 max

Standard Wiring

3 ft. (91.5 cm) cable, flying
leads or connectors,
depending on interface

Displays

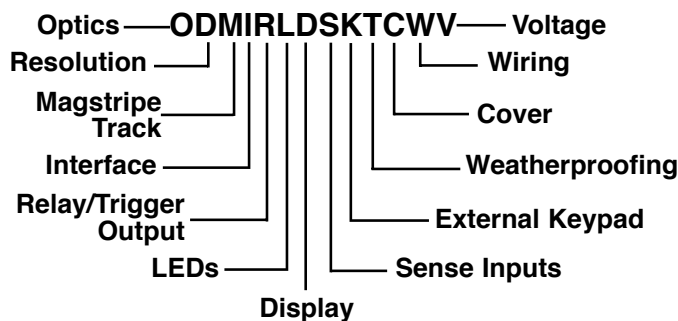
8 char. alpha display (optional)

* Maximum power consumption does not include alphanumeric displays. 5VDC readers have a voltage tolerance of +/-5%. 12VDC readers may be operated from 8VDC - 15VDC. 24VDC readers may be operated from 15VDC - 30VDC.

How To Order

Order Magbar J with a code to indicate options required.

Code



Example

Magbar J-IH2S0L00006R5=

Magbar J with high resolution infrared optics, track 2 magstripe, RS232 output, both LEDs, no display, #6 mounting backplate, rear wire exit, 5VDC supply.

Options Available

Optics

Visible - V
Infrared - I

Resolution

Low - L
High - H

Magstripe Track

Track 2 - 2
Tracks 1 & 2 - 1
Tracks 2 & 3 - 3

Interface

RS232 - S¹
RS232 Wedge - A
TCP/IP - C
TTL ASCII - T
INV TTL ASCII - I
Magstripe Emulation - M²
Wand Emulation - W²
RS422/485 - 2¹
PC Wedge XT/AT - P
PC Wedge PS2 - 1
Wiegand - G²
VT320 Wedge - V
DTMF - D
USB - U

Relay/Trigger Output

No relay - 0
Relay - R
Trigger output - T

LEDs

No LEDs - 0
LEDs - L
Red LED - R
Green LED - G

Display

No display - 0
Alphanumeric display - A

Sense Inputs

No sense inputs - 0
Sense inputs - S

External Keypad

No external keypad - 0
Ext. keypad support - K

Weatherproofing

No weatherproofing - 0
Weatherproofing - W

Cover

#6 - 6
3mm - M

Wiring

Rear - R
Side - S
6-pin rear mod. jack - 6

Voltage

5VDC - 5
12VDC - 2
24VDC - 4
P - POE

¹ Serial units may be reprogrammed for network/protocol mode.

² Units may be specially ordered to support all three emulation modes.



International Bar Code

160 Oak St., Glastonbury, CT 06033 USA Tel: (860) 659-9660 Fax: (860) 657-3860