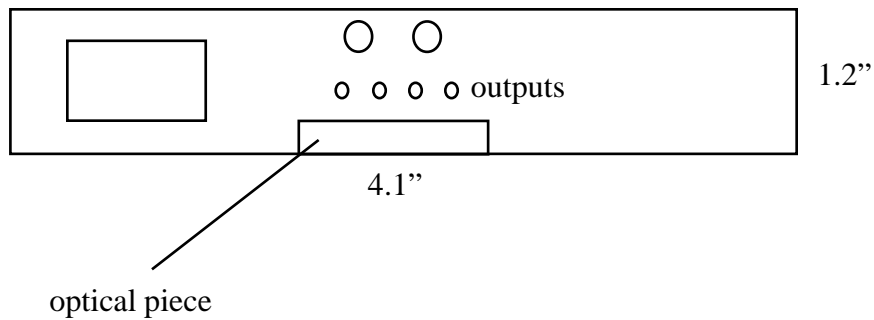


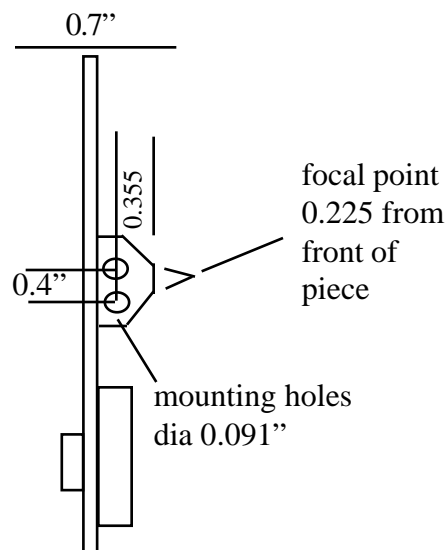
Series 601 Circuit Board

The series 601 circuit board is designed for adding barcode capability to OEM equipment. The 601 board contains a barcode optic assembly, conditioning circuitry, and decoding circuitry, providing a decoded barcode output in either RS232, RS422, or weigand format. Required power is 5V, approximately 125ma. Attached to an optional 602 board containing an onboard relay, the 601 can also be used to actuate equipment or alarms based on barcode reads.

Front View



Top View



Note: when used with the optional 602 board, the total width of both boards is 1.3"